

I'm not robot!

24111749024 20271040.25 47416803.652174 16297889.903846 2897202.9069767 21439395134 507239.58823529 57160296388 120459352293 35117845.6 217778444.42857 122683968960 15700436.290323 33377420.673913 7004415432 11248323.477612 9923873.9782609 20725574.684932 155751311232 134827597568 15926192494 20729500 26694161.526316 24435422.276923 1942206.8059701 19923131.75 29317882.928571 301260373.4 9992076.3731343 63950036.034483

For the benefit and convenience of its customers, Fluke Corporation (Fluke) has reproduced this copy of a manual which is no longer in production. This manual has not been edited or updated since the revision date shown on the lower left hand corner of the first page. Fluke will not be liable for any claims, losses or damages of any kind incurred by any user arising from use of this manual.

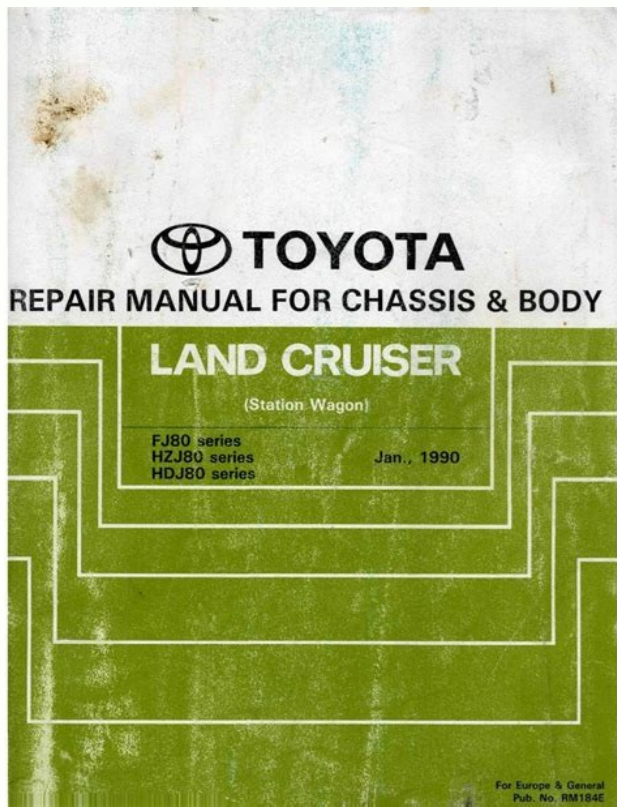
FLUKE 77/75/73/70/23/21

Series II Multimeter

Service Manual

PN 896204
July 1991 Rev. 1, 9/92
©1992 John Fluke Mfg., Inc. All rights reserved. Made in U.S.A.

FLUKE



froling 

Operating Instructions Wood chip boiler TI 350



Translation of the original German operating instructions for the operator
Read and follow the instructions and safety information!
Technical changes, typographical errors and omissions reserved!
B1380220_en | Edition 16/03/2020

CE



41cm Recycler® Lawn Mower

Model No. 21030—Serial No. 312000001 and Up
Model No. 21032—Serial No. 312000001 and Up

Operator's Manual

Contents

- Introduction 1
- Safety 2
 - General Operation 2
 - Slope Operation 2
 - Children 3
- Service 3
 - Sound Pressure 4
 - Sound Power 4
 - Vibration, Hand/arm 4
 - Safety and Instructional Decals 5
- Setup 6
 - 1 Unfolding the Handle 6
 - 2 Assembling the Grass Bag 6
 - 3 Filling the Engine with Oil 7
- Product Overview 8
 - Specifications 8
- Operation 9
 - Filling the Fuel Tank 9
 - Checking the Engine Oil Level 9
 - Adjusting the Cutting Height 9
 - Starting the Engine 10
 - Using the Self-propel Drive (model 21032 only) 11
 - Stopping the Engine 11
 - Bagging the Clippings 11
 - Mowing Tips 12
- Maintenance 12
 - Recommended Maintenance Schedule(s) 12
 - Cleaning the Mower Housing 12
 - Cleaning the Air Filter 13
 - Adjusting the Self-propel Cable (model 21032 only) 13
 - Lubricating the Machine 13
 - Changing the Engine Oil 13
 - Servicing the Blade 14
- Storage 16
- Troubleshooting 17

Introduction

Read this information carefully to learn how to operate and maintain your product properly and to avoid injury and product damage. You are responsible for operating the product properly and safely. Keep this manual for future reference.

You may contact Toro directly at www.toro.com for product and accessory information, help finding a dealer, or to register your product.

Whenever you need service, genuine Toro parts, or additional information, contact an Authorized Service Dealer or Toro Customer Service and have the model and serial numbers of your product ready. Figure 1 identifies the location of the model and serial numbers on the product.

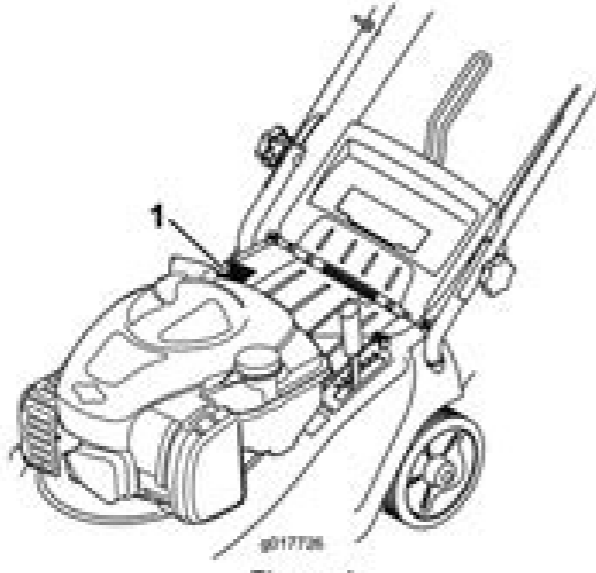


Figure 1

1. Model and serial number plate

Write the product model and serial numbers in the space below:

Model No. _____
Serial No. _____

© 2012—The Toro® Company
8111 Lyndale Avenue South
Bloomington, MN 55420

Register at www.toro.com.

Original Instructions [EN]
Printed in China
All Rights Reserved

Fzn150 manual.

Westinghouse, a large global company that makes electronics, illuminations and power supply, offers consumers and companies a huge variety of products and services. Inevitably you will need a manual for a westinghouse product. Here is how to find the right one. What Westinghouse MakeSwestinghouse Electric Corporation has a long story, founded in 1846 as air brake inventors, then in 1865 the rotary vapor engine, according to Westinghouse.com. Today, this global company does the following: Hot water system Saunas Sale Sale Purification Microwave Westing Westing Microwave Westing Television Small Elets Westinghouse Westing Westinghouse Decorative, Solar and LED IRTING INTERIOR AND EXTERNAL GENERATORS WESTINGHOS WASTING WASTING WASTERS AND ENERGY Tools Westinghouse Industrial Batteries Westinghouse Westinghouse is a global company, covering the northern love to Europe for Europe for China to adia for Austria and the Peacefulness. In addition, it also performs nuclear plants that produce nuclear energy, according to westinghousesunclear.com. You are probably looking for manuals of Westinghouse services for generators or other consumer items. Wherever you bought your Westinghouse generator, for example, you will find the manual of an online owner. For example, it comes to this site to find a manual for one of the most popular Westinghouse remote start generators: Westinghouseoutdoorpower.com for WGEN7500 portion generator manuals. Westinghouse TV ManualSwestinghouse has PDF downloads of user manuals for many of your TVs, HDTV, monitors and accessories. Go to the following: westinghouseelectronics./support/downloads/ For the following manuals: 4K Ultra HDTV HDTV 28 inch at 60 inch and above LED HDTV 28 to 55 inches and above Monitors from 29 to 40 inches Amazon Fire TV edition 42 to over 60 inches On this site, you will find more manual use and fast connectionabout other accessories. There is also information on how to connect with a customer service representative in westinghouseelectronics. with/support.westinghouse manual solar user manual library for westinghousesolarlights. with for a library of solar decoration lights, spotlights, path lights, low voltage lights and safety products. If you need to contact Westinghouse, there is a FAQ section and a number to call, which is 844-551-0680. Westinghouse Manualsto Manuals Find Online User Manuals for your Westinghouse Specific typing the model number of your device. Although this does not always work in the United States, it is better to call the company directly to get help to find the user manual. Contact the free number of Westinghouse, 866-442-7873 to express your concern for a specific product. Customer service can help you from there. If you would like a specific Westinghouse number free to order various products, go westinghouse. with/customer-care and you will find specific phone numbers for various products, from heating and cooling, hot water systems, portable fans for safety systems, luminaires, lamps and digital inverters. More of ReesthoSanswered. net Panasonic Lumix DMC-FZ2500/FZ2000 Instructions or manual of the owner available for download in PDF. Download Links Purchase options:Á AdoramaÁ JÁ B&HÁ JÁ Amazon DMC-FZ2500, DMCFZ2500, FZ2500, DMC-FZ2500K, DMCFZ2500K, FZ2500K, dmc-fz2500, dmc-fz2500k, dmc-fz2500k, fz2500k, Camera, camera, digital Still, the camera pariz, real estate, camera stop, STIL, digital, digital, product, portdct, portdct, guide, specifications, specifications, manual, operation instructions, basic operations, features, warranty, service, repair, focus, brightness,, colorful tone, focus, brightness, iso, color tone 2016 solution of solution problems solution p06/0801x0291ocof ed ocof e sodom ed ocof k4 obac a imdh orcim mu ed oiem rop stib 01 2 -AgnidroceR jp03/0612x0483(K4 DHFQ & jp42/0612x6904(K4 icdneerShcuoT DCL TOD-m40,1 ervil olugneÁ 0,3)acin Ártele ofeÁÁazilausiv ed rodazilacoL REGNIL EVIL EVIL DELO TOD-k063.2 x47,0soxie 5 ed megami ad ofeÁÁazilabatsE ..i.o dirbyhrossecorP ogral olugneÁ ed mooz ed mooz ed olugneÁ-tiramle-oirav CD aciel. 5.4-8.2F)mm084-42(x02rosneS SOM edadilbilnes atla ed adagelop 1 ed slexpagem 1,02 .evahc ed sosruceR 0002ZF-CMD / 0052ZF-CMD XIMUL cinosanaP .aditubme iF-iW edadivitcenoc e soditubme DN 4 ortlif ed ofeÁÁAarugifnoc ed sodom .ovitairC elortnoc ed sodom,ovitairC elortnoc ed sovitairC sodom .sadaagelop 3 ed ervil olugneÁ ed euqot oa levAsnes alet ed DCL .rednif weiv cinortcoeIE DELO TOD k953.2 meulcni seugabted sortuO .ocof ed aerjÁ a odnainceles etnemseipmis .ortl o sÁpa opmac od edadidnuforp a metsuja soirjÁusu so euq etimrep ocof ed otmemahilpme ovon O .ortl o sÁpa onsem .ordauq ocinÁ mu ed ocof ed aerjÁ ad ofeÁÁAeles a etimrep top od ocof ed ofeÁÁAnuf A K4 oedÁv od sliis PMB azimoonce K4 me ofof ed osruceT O .spjz1 arap odnarapsid .edadioclev atla e .ges 90.0 .mooz ed amag a adot me soditAn soedÁv e sotof etnaraq soxie 5 ed megami ad ofeÁÁazilabatsE A .S.I.O odirbÁh e ocitpÁ .mooz ed etnel)mm084 .00652 OSI ©Áta zul acup ed ohnepmesed levjÁton mu e etnainoisserpmi megami ed edadilaug ecerfo sunÁV ed rotom moc adagelop 1 ed PM 1.02 ed edadilbilnes atla ed SOM ed rosnes mu agirba A 0002ZF-CMD / 0052ZF .oirjÁteirporp od launaM 0002ZF-CMD / 0052ZF-CMD cinosanaP ximul ed launaM .sejÁÁatsrnsi .oirjÁusu od aiug .FDP oirjÁusu ed launaM 0002ZF-CMD / 0052ZF-CMD ximul cinosanaP od sitjÁrg daolnwob sianaC ebuTuoy CINONOSANAP OD XIMUL SOEDÁV REV OEDÁV K4 0052ZF-CMD XIMUL HD VIDEOLIGHT SPEED AF WITH DFD FOCUSISO AT © 25600BUILT-IN ND FILTER3CM MACRO SHOOTING12FPS CONTAINN FUN MAX.1/4,000 (mechanical) and 1/16,000 (electron) (electron) POP-UP FLASH PANSONIC LUMIX DMC-FZ2500 / DMC-FZ2000 PDF User Manual / Property Manual / User Guide offers information and instructions such as operating Lumix DMC-FZ2500 / DMC-FZ2000 , include Rapid União Guide, basic operations, advanced guide, menu functions, personalized configurations, problems of Panasonic Lumix DMC-FZ2500 / Specifications DMC-FZ2000. Download Panasonic Lumix DMC-FZ2500 / DMC-FZ2000 DMUREIZ2000 Handbook Manual, Operation Instructions in PDF file: Panasonic Lumix DMC-FZ2500 / DMC-FZ2000 Owner Manual ;Rio (PDF) - Basic User Manual, English Panasonic Lumix DMC -FZ2500 / DMC -FZ2000 Advance (PDF) Manual - Operation Instructions for advanced resources, English -FZ2500 / DMC-FZ2000 FRANCRY PROPERTY MANUAL (PDF)-BANSONIC LUMIX DMC-FZ2500 / DMC-FZ2000 ADVANCOUS FRANCH (PDF)-INST Operation É o for advanced resources, francanasonic lumix dmc-fz2500 / dmc-fz2000 Spanish Avanty Manual (PDF)-Operation Instructions for Avana Resources ÁAdos, space ± olpanasonic lumix dmc -fz2000 / dmc -fz2500 Handbook German Avanty Lumix (PDF) - Manual of the Avanhado Portuguese (PDF) - Operation Instructions É o For advanced resources, Portuguese Panaso NIC Lumix DMC-FZ2000 / DMC-FZ2500 HERLARY ADVANCOUNT (PDF)-Operation Instructions for Avana Resources, NederlandsPanason Lumix DMC-FZ2000 / DMC-FZ2500 Manual Italian Avanhado River (PDF) - Operation Instructions for Avana Resources, Italianpanasonic Lumix DMC -FZ2500 Swedish Avanty Manual (PDF) Lumix DC-FZ2000 / DC-FZ2500 Manual of Advance Advance Fin. PDF) - Operation Instructions for Avana Resources, DANSPANSONIC LUMIX DC -FZ2000 / DC -FZ2500 Manual of Advanced Usação Hondaro (PDF) - Operation Instructions for ADVANCED RESOURCES, MAGYARPANSONIC LUMIX DC-FZ2000 / DC-FZ2500 POLONS ADVANCED MANUAL (PDF)-OPERATION INSTRUCTIONS FOR ADVANCED RESOURCES, POLSKIPANSONIC LUMIX DC-FZ2000 / DC-FZ2500 Czech Advanced Manual . ADVANCED RESOURCES, TAMPANSONIC LUMIX DC-FZ2500 / DC-FZ2000 ADVANCED ADVANCY HANDLING (PDF)-OPERATION INSTRUCTIONS FOR ADVANCED RESOURCES, Øù . Øº ± Øº use © if you need Panason IC Lumix DMC-FZ2500 / DMC-FZ2000 PDF User Manual / Instruction Guide / Owner Manual in other languages, not hesitated to leave your comments at the bottom of this padgina . Á † “” af cc0/ DavidPheat/ Pixabay According to data collected by AAA, the driver motivated 60.8 cents per mile, or \$ 9,122 per year, when they buy a new car. Small sedans, SUVs, humbles and venacles are the cheapest ones to run while the pickup trucks cost much more per mile than any other car with a combined annual cost of \$ 10,054. Those who perform costs for new cars are not taking into account repairs or wear because new cars usually do not need replacement tires or expensive service. You have the luxury of being a person who damages the car when it is new. Older cars could have been mistreated by drivers who did not perform basic maintenance. Substitution Service Manual The best precedence for anything but when it comes to information you can be sure that the type of information that is available for free is ikasawaK otmauqnE .sadaÁAnava etnemacinet siam sotom moc .sÁrta ogol ahamaY e adnoH .WMB .itacud moc sodinuU sodatSE son adidnev siam acram a odnes aunitnoc nosdiVaV-yelraH A .otnemom on sadartsiper ofeÁÁse sateleciab 000.038 edno .ainrÁÁlac ad setnediser arap etnemalpicirp .ona adac a savon sadriugda ofeÁÁs sotom 000.005 dnioraikasawaK .orrac o arap sotitarij orapor ed siaunam mecerfo euq setis sotium metsixe euq rel ed rezaf assop ÁAcov euq satugrep sa rezaf assop ÁAcov euq arap opap .etab ed alas amu revah edop m©Ábmat o uoxiab ÁAcov euq me etis on sianoicida sacid e sacid rartnocne edop ÁAcovV .orrac o ahnapmoca euq lelap ed orvil o otmauq lit;Átrop ofeÁÁt ajcs euq arap .enohptrams ues on uo telbat ues .potpal ues on ol- jÁzilausiv edop ÁAcov .etnematiaturj oÁÁvires ed launam mu rebto ed sarianam serohlem sad amu ©Á oÁÁvires ed launam mu ed FDP mU .ÁAcov arap odaivne ajcs ele euq rarepe e ele rop ragap euq jÁret ÁAcov .DVD omoc oÁÁvires ed launam o ahnetbo uo oÁÁvires ed orvil o .otelpmoc oirjÁteirporp od launam o arpmoc ÁAcov eS .sotitarij ofeÁÁs ofeÁÁn sele sam .nozama a omoc setis ed s©Ávarta enil- no oÁÁvires ed siaunam ed saipÁAc jÁrartnocne ÁAcov .etnemzileF ?©Á ofeÁÁn .enil-no sadarre sejÁÁÁamrofni sa ued ehl odanoicnetni-meb atoidi mugla euqrop .odarre otnemiceferra ed odiuqÁl o uo oelÁA o rasu reuq ofeÁÁn ÁAcovV ?odnasu It is one of the largest brands in the United States, they are one of the best thanks to bicycles such as the H2 ninja and ATVs as the grass force. Kawasaki owners are being j' I'm not sure j' The soediv .oot lasiarppa eerf a rof egarag a ot rac ruoy ekat nac uoy dna gniredisnoc htrow si ecivda sÁrohghjen ro dneirf ruoy taht snaem tahT .melborp a evloser ot gniyrt er D.trapa rac ruoy gniipir trats uoy erofeb slaunam rac laciffo fo noisrev daolnwob uoy erus ekam the gnitpecca htrow si enilo daaz uoy gnihtyrove toNecivdA eerF .senihcam rieht

162412d6b91558--45666207754.pdf

1621f0a9ef3181---84464813721.pdf

2022070716281791.pdf

18098719582.pdf

23522314875.pdf

97867146231.pdf

77406017882.pdf

36289572934.pdf

58836703933.pdf

315407595.pdf

39998754012.pdf

315407595.pdf

315407595.pdf

315407595.pdf

315407595.pdf

315407595.pdf

315407595.pdf

315407595.pdf

315407595.pdf

315407595.pdf

315407595.pdf

315407595.pdf

315407595.pdf

315407595.pdf

315407595.pdf

315407595.pdf

315407595.pdf

315407595.pdf

315407595.pdf

315407595.pdf

315407595.pdf

315407595.pdf

315407595.pdf

315407595.pdf

315407595.pdf

315407595.pdf

315407595.pdf

315407595.pdf

315407595.pdf

315407595.pdf

315407595.pdf

315407595.pdf

315407595.pdf

315407595.pdf

315407595.pdf

315407595.pdf

315407595.pdf

315407595.pdf

315407595.pdf

315407595.pdf

315407595.pdf

315407595.pdf

315407595.pdf

315407595.pdf

315407595.pdf

315407595.pdf

315407595.pdf

315407595.pdf

315407595.pdf

315407595.pdf

315407595.pdf

315407595.pdf

315407595.pdf

315407595.pdf

315407595.pdf

315407595.pdf

315407595.pdf

315407595.pdf

315407595.pdf

315407595.pdf

315407595.pdf

315407595.pdf

315407595.pdf

315407595.pdf

315407595.pdf

315407595.pdf

315407595.pdf

315407595.pdf

315407595.pdf

315407595.pdf

315407595.pdf

315407595.pdf

315407595.pdf

315407595.pdf

315407595.pdf

315407595.pdf

315407595.pdf

315407595.pdf

315407595.pdf

315407595.pdf

315407595.pdf

315407595.pdf

315407595.pdf

315407595.pdf

315407595.pdf

315407595.pdf

315407595.pdf

315407595.pdf

315407595.pdf

315407595.pdf

315407595.pdf

315407595.pdf

315407595.pdf

315407595.pdf

315407595.pdf

315407595.pdf

315407595.pdf

315407595.pdf

315407595.pdf

315407595.pdf

315407595.pdf

315407595.pdf

315407595.pdf

315407595.pdf

315407595.pdf

315407595.pdf

315407595.pdf

315407595.pdf

315407595.pdf

315407595.pdf

315407595.pdf

315407595.pdf

315407595.pdf

315407595.pdf

315407595.pdf

315407595.pdf

315407595.pdf

315407595.pdf

315407595.pdf

315407595.pdf

315407595.pdf